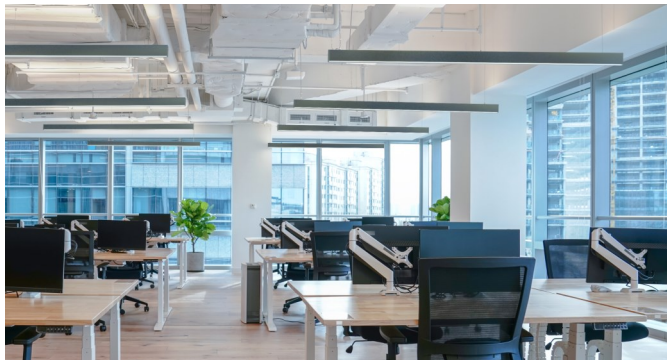
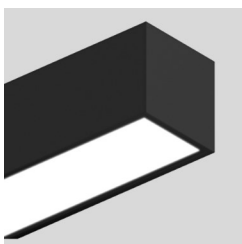


Type:	
Project:	
REP/Agent:	
Order #:	

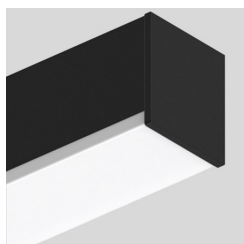
# BEAM DIRECT/INDIRECT



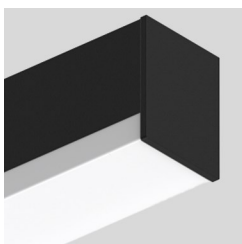
## DIFFUSING



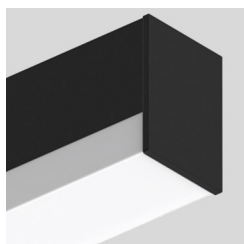
FLUSH, H: 3.5"



DL05, H: 4.0"

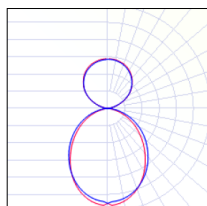


DL10, H: 4.5"

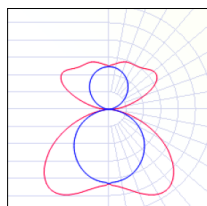


DL15, H: 5.0"

## DISTRIBUTION



Direct: SD= SatinIce Diffuse  
Indirect: CL= Clear



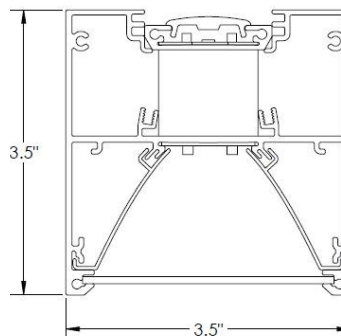
Direct: WD= Wide Diffuse  
Indirect: BW= Batwing



## FEATURES

- ★ Continuous lensing standard– runs up to 200'
- ★ Extruded aluminum single piece housing
- ★ Standard 2', 4', 6' and 8' units, or continuous rows
- ★ Linear runs with proprietary joiner design
- ★ Direct & Indirect light levels can be set to any combination at the factory
- ★ Efficacy up to 140 lm/W
- ★ Soft diffuse direct lighting
- ★ Textured powder coat finishes available in white, black and silver
- ★ Premium finishes also available
- ★ Approved for dry and damp locations
- ★ 0-10v dimming is standard
- ★ Dim to 1% of output current is standard
- ★ 90 CRI (R9 50 min) available
- ★ CA Title 24 / JA8 installation compatible
- ★ L70 > 50,000 hours
- ★ Consult factory for TM21, TM30, LM79 and LM80

## DIMENSIONS



Type:	
Project:	
REP/Agent:	
Order #:	

# BEAM DIRECT/INDIRECT

BEAMDI					
SERIES	LENGTH	DIRECT LUMENS PER FOOT	INDIRECT LUMENS PER FOOT	DIRECT DISTRIBUTION	INDIRECT DISTRIBUTION
BEAMDI	<b>xx</b> = Run Length <b>Sxx</b> = Symmetric Run Length <b>_x_RECT</b> = Rectangle <b>_x_L</b> = L-Shape <b>_x_x_U</b> = U-Shape	<b>350</b> = 350 LPF <b>500</b> = 500 LPF <b>750</b> = 750 LPF <b>1000</b> =1000 LPF <b>XXX</b> = Custom LPF	<b>350</b> = 350 LPF <b>500</b> = 500 LPF <b>750</b> = 750 LPF <b>1000</b> = 1000 LPF <b>XXX</b> = Custom LPF	<b>SD</b> = Satinice Diffuse <b>WD</b> = Wide Diffuse <b>WW</b> = Wall Wash <b>DL05</b> = Satin Diffuse 0.5" Drop <b>DL10</b> = Satin Diffuse 1.0" Drop <b>DL15</b> = Satin Diffuse 1.5" Drop  <i>Seamless Continuous Lensing            Unavailable for "DL" Options</i>	<b>CL</b> = Clear Lens <b>BW</b> = Batwing

CCT	CRI	FINISH	MOUNTING	VOLTAGE	ELECTRICAL
<b>30K</b> = 3000K <b>35K</b> = 3500K <b>40K</b> = 4000K <b>50K</b> = 5000K <b>TW</b> = Tunable white <sup>1</sup> <i>(2700-6500K)</i>	<b>80</b> = 80 <b>90</b> = 90 <i>(R9 50 min)</i>	<b>STANDARD</b> <b>PW</b> = Powder Coat White <b>PB</b> = Powder Coat Black <b>PS</b> = Powder Coat Silver  <b>PREMIUM</b> <b>RALxxxx</b> = Powder Coat RAL xxxx (Gloss Finish) <b>PSFx</b> = Prem Stock Finish (See Pg. 8)  <b>CUSTOM</b> <b>PO</b> = Powder Other	<b>CABLES WITH CANOPY KITS</b> <b>ACW05</b> = White Cord 5' <b>ACW10</b> = White Cord 10' <b>ACB05</b> = Black Cord 5' <b>ACB10</b> = Black Cord 10'  <b>CABLES WITH LOOPS</b> <b>ALW10</b> = White Cord 10' <b>ALB10</b> = Black Cord 10'  <b>WALL MOUNTS</b> <b>WM</b> = Wall Mount <b>AWM</b> = Architectural Wall Mt <b>EWM</b> = Extruded Wall Mount  <b>STEM WITH CANOPY KITS</b> <b>STEMWxx</b> = Stem White, xx" <b>STEMBxx</b> = Stem Black, xx"	<b>U</b> = 120-277 <b>C</b> = 347	<b>1C</b> = Single Circuit <b>2C</b> = Separate D/I Circuits <i>(separate control of direct and indirect)</i> <b>MC</b> = Multiple Circuits <i>(multiple switch legs across run length)</i> <b>EC</b> = Emergency Circuit <i>(separate power drops for EC fixtures)</i> <b>GTD</b> = Generator Transfer Device

## OPTIONS

**SPECIALTY DRIVERS (Standard driver is 0-10V, dim to 1% output current)**  
**DT1**=eldoled EcoDrive Dim to 1% (0-10V)  
**DTZ**=eldoled SoloDrive Dim to 0.1% (0-10V)  
**PSRD**=Philips Sensor Ready (DALI) Driver  
**LDE1**=Lutron Hi-Lume EcoSystem LED driver with Soft-on, Fade-to-Black  
**TW-A**=Tunable White, 0-10v<sup>2</sup>  
**TW-EL**=eldoled DUALdrive Tunable White (DALI)<sup>2</sup>  
**PSQ02U**=Lutron T-Series 1% 2-Channel Tunable White driver<sup>2</sup>

**SENSORS**  
**DMxx%**=Daylight/Motion Sensor (xx%= % Min. Dimming)  
**VDO**=Lutron Vive Integral fixture control (RF w/ daylight and occupancy)  
**AWN-R-W**= Lutron Athena Wireless Node (RF only)<sup>3</sup> - White Finish  
**AWN-R-B**= Lutron Athena Wireless Node (RF only)<sup>3</sup> - Black Finish

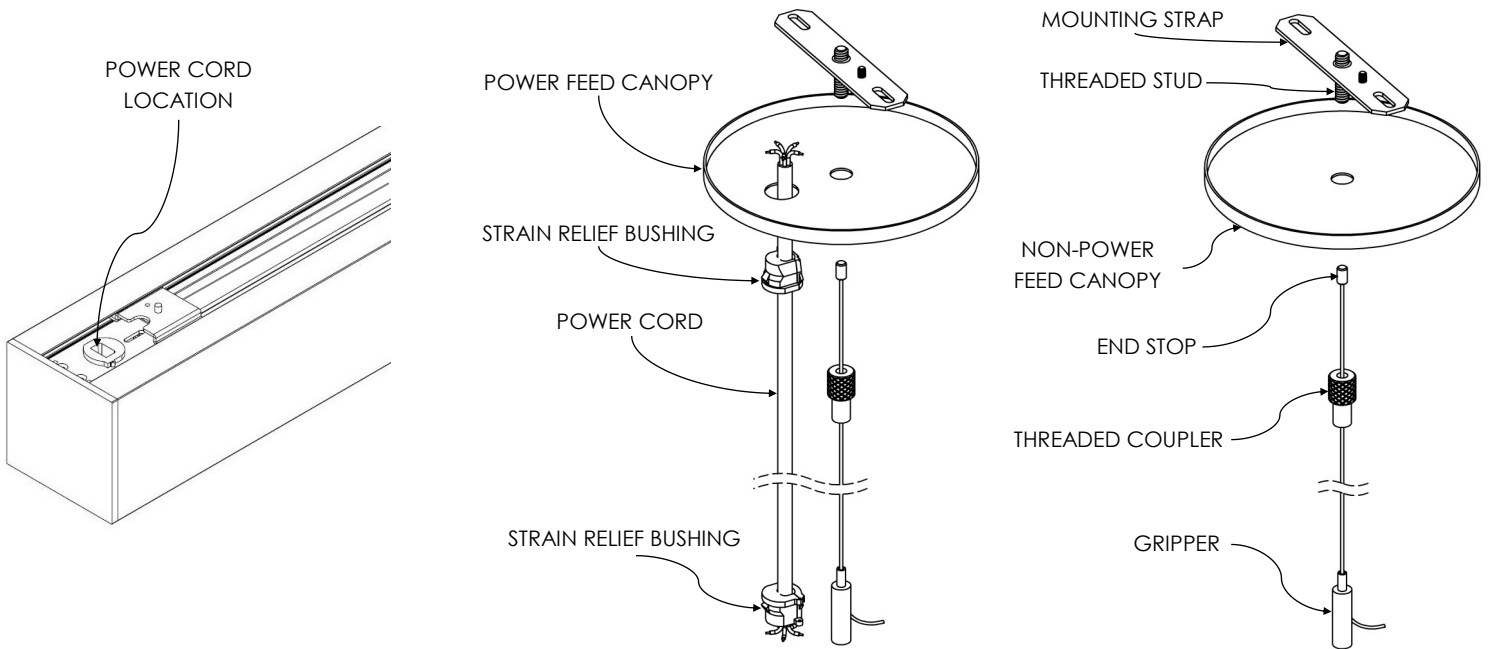
**BATTERIES**  
**#EMB6**=6W EM Battery (Bodine BSL06T3)  
**#EMB10**=10W EM Battery (Bodine BSL10T3)  
**#FCEMB10**= 10W EM Battery (Factory Choice)

**EXAMPLE: BEAMDI-40-500-750-WD-BW-35K-90-PW-ACW10-U-1C-1EMB10**

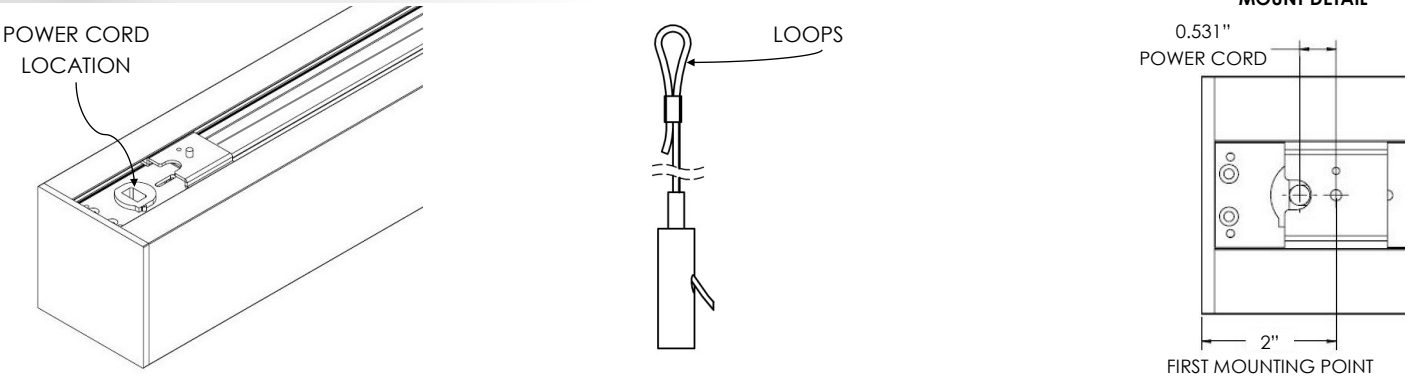
<sup>1</sup> Tunable White Driver must be specified in options  
<sup>2</sup> 50 Watt Max. Dual driver required for higher fixture wattage  
<sup>3</sup> D4i driver for static & DALI-2 Type 8 for tunable.

## MOUNTING OPTIONS

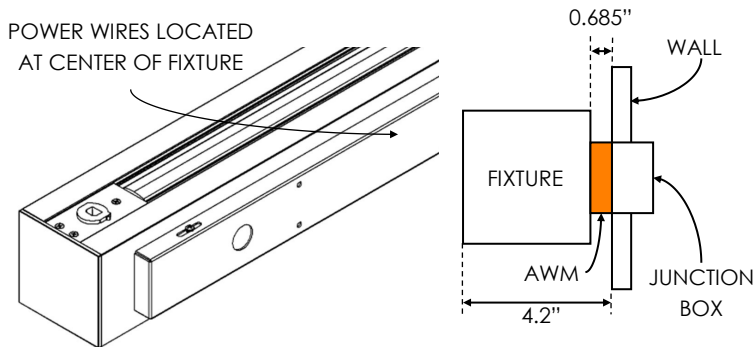
### ACxxx (Aircraft Cable with Canopy) - Drywall, Solid, Tile (On-Grid), Tile (Off-Grid)



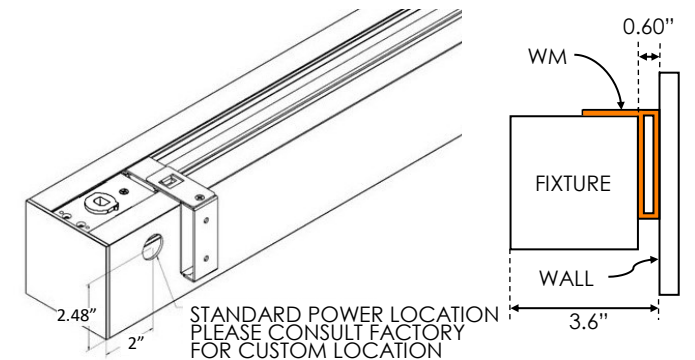
### ALxxx (Aircraft Cable with Loops)



### AWM (Architectural Wall Mount)

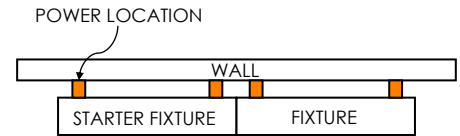
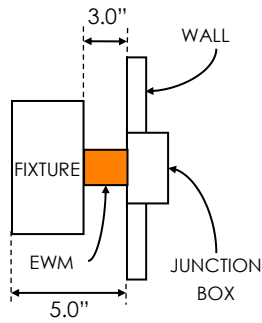
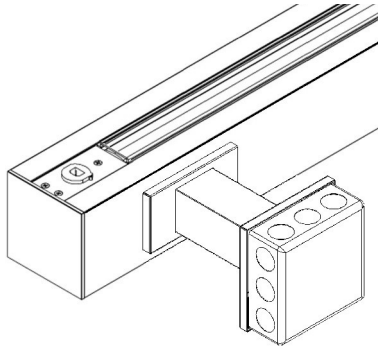


### WM (Wall Mount)

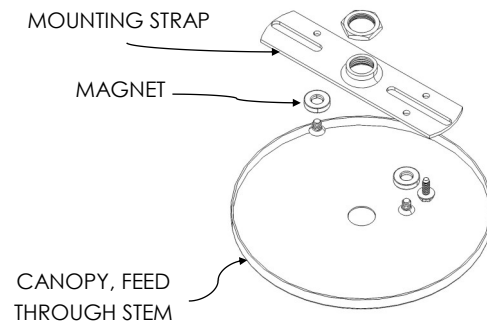
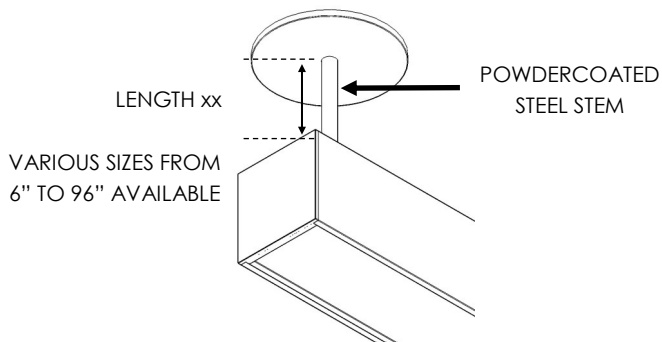


## MOUNTING OPTIONS, CONTINUED

### EWM (Extruded Wall Mount)



### STEMWxx, STEMBxx (Stem Mount)



## ROW CONFIGURATIONS

### xx (Run Length)

The standard construction of run lengths follows the logic of the table below. Consult factory for additional information.

		Total Length																																													
		2	3	4	5	6	7	8	9	10	11	12	13	14	15	16	17	18	19	20	21	22	23	24	25	26	27	28	29	30	31	32	33	34	35	36	37	38	39	40							
# of Sections	2	1																																													
	3		1																																												
	4			1						1	1	1	1														1	1	1	1																	
	5				1					1				1													1																				
	6					1					1					1											1																				
	7						1					1																1																			
	8							1																																							

**NOTE: Fixtures in continuous runs are available in 6" increments. Consult factory for smaller increments.**

### Sxx (Symmetric Run)

The construction of Sxx (y') is to build with equal length fixtures. The xx indicates the run length. The y' indicates the fixture length used to create the run. Please indicate this on your P.O. when placing your order.

<b>S12' (2')</b>	<b>2'</b>	<b>2'</b>	<b>2'</b>	<b>2'</b>	<b>2'</b>	<b>2'</b>
<b>S12' (3')</b>	<b>3'</b>	<b>3'</b>	<b>3'</b>	<b>3'</b>	<b>3'</b>	
<b>S12' (4')</b>	<b>4'</b>	<b>4'</b>	<b>4'</b>	<b>4'</b>		
<b>S12' (6')</b>	<b>6'</b>	<b>6'</b>				

## MOUNTING LOCATIONS

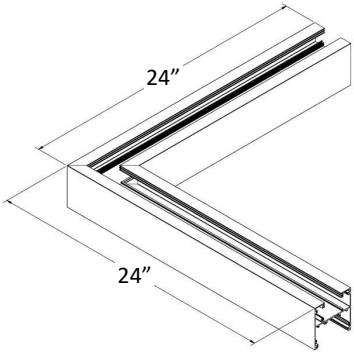
Each starter or individual fixture will be provided with (2) mounting supports (●). Each additional fixture will be provided with (1) support which can be located anywhere along the 2nd half of the fixture (highlighted below):

Examples of continuous run mounting locations are as follows:

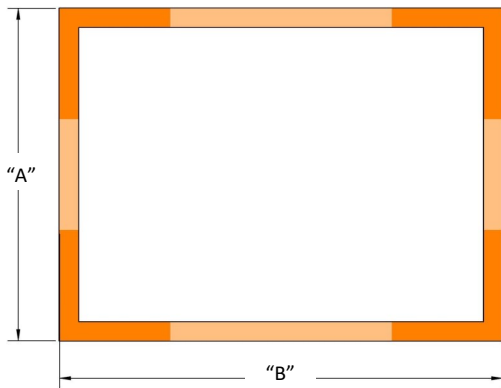
<b>12' RUN</b>	●	<b>8'</b>	●	<b>4'</b>		
<b>16' RUN</b>	●	<b>8'</b>	●	<b>8'</b>		
<b>20' RUN</b>	●	<b>8'</b>	●	<b>8'</b>	<b>4'</b>	
<b>24' RUN</b>	●	<b>8'</b>	●	<b>8'</b>	<b>8'</b>	
<b>28' RUN</b>	●	<b>8'</b>	●	<b>8'</b>	<b>8'</b>	<b>4'</b>

## JOINT SHAPE CONFIGURATION WITH MITER CUTS

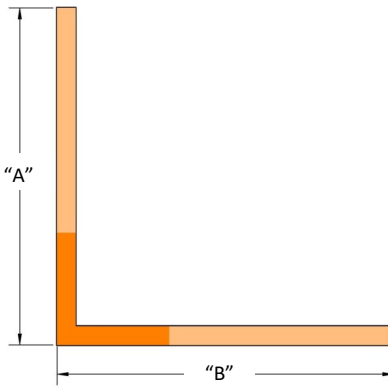
We provide joint configurations in the stock size of 24" X 24" as shown below.



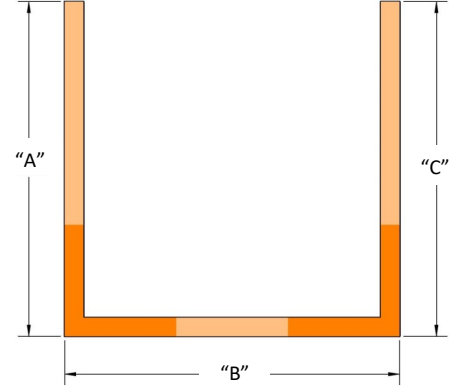
_x_RECT
Rectangle
Supply AxB dimensions



_x_L
L-Shape
Supply AxB dimensions

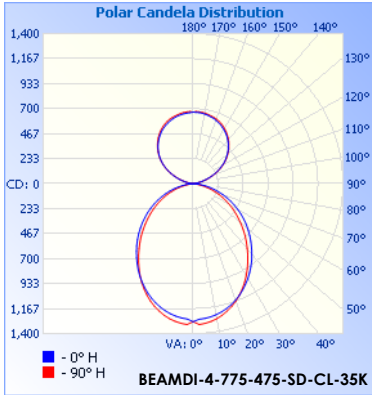


_x_x_U
U-Shape
Supply AxBxC dimensions



## PERFORMANCE

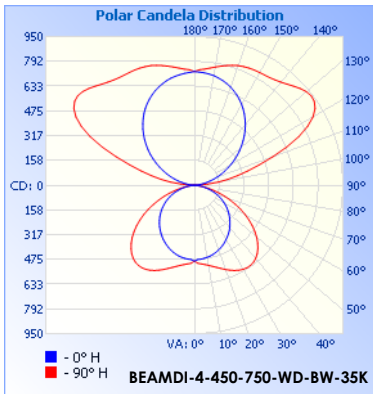
### BEAMDI-X-775-475-SD-CL (80+ CRI)



Model	Lumens	Watts	LPW
BEAMDI-4-775-475-SD-CL-30K	5,000	41	123
BEAMDI-4-775-475-SD-CL-35K	5,000	39	128
BEAMDI-4-775-475-SD-CL-40K	5,000	38	131
BEAMDI-4-775-475-SD-CL-50K	5,000	37	135

Model	Lumens	Watts	LPW
BEAMDI-8-775-475-SD-CL-30K	10,000	78	128
BEAMDI-8-775-475-SD-CL-35K	10,000	75	133
BEAMDI-8-775-475-SD-CL-40K	10,000	74	136
BEAMDI-8-775-475-SD-CL-50K	10,000	71	140

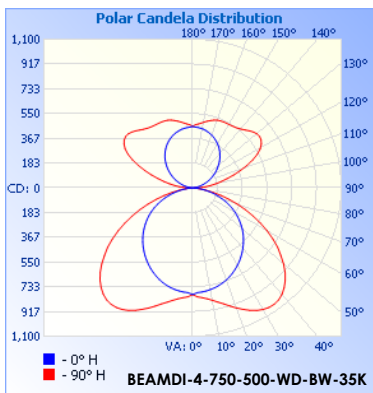
### BEAMDI-X-450-750-WD-BW (80+ CRI)



Model	Lumens	Watts	LPW
BEAMDI-4-450-750-WD-BW-30K	4,800	40	121
BEAMDI-4-450-750-WD-BW-35K	4,800	38	126
BEAMDI-4-450-750-WD-BW-40K	4,800	37	130
BEAMDI-4-450-750-WD-BW-50K	4,800	36	133

Model	Lumens	Watts	LPW
BEAMDI-8-450-750-WD-BW-30K	9,600	76	126
BEAMDI-8-450-750-WD-BW-35K	9,600	73	131
BEAMDI-8-450-750-WD-BW-40K	9,600	71	135
BEAMDI-8-450-750-WD-BW-50K	9,600	70	138

### BEAMDI-X-750-500-WD-BW (80+ CRI)



Model	Lumens	Watts	LPW
BEAMDI-4-750-500-WD-BW-30K	5,000	42	119
BEAMDI-4-750-500-WD-BW-35K	5,000	40	124
BEAMDI-4-750-500-WD-BW-40K	5,000	39	127
BEAMDI-4-750-500-WD-BW-50K	5,000	38	130

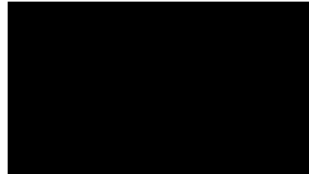
Model	Lumens	Watts	LPW
BEAMDI-8-750-500-WD-BW-30K	10,000	81	123
BEAMDI-8-750-500-WD-BW-35K	10,000	78	128
BEAMDI-8-750-500-WD-BW-40K	10,000	76	131
BEAMDI-8-750-500-WD-BW-50K	10,000	74	135

## FINISHES

### STANDARD FINISHES



WHITE MINI TEXTURE



BLACK MINI TEXTURE

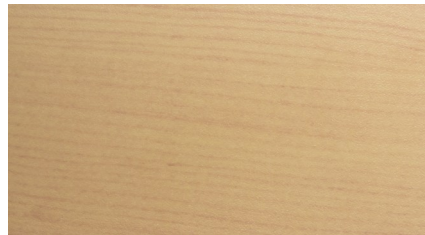


SILVER SPARKLE TEXTURE

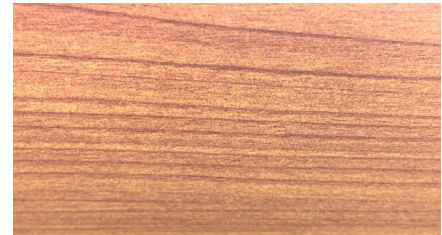
### PREMIUM STOCK FINISHES



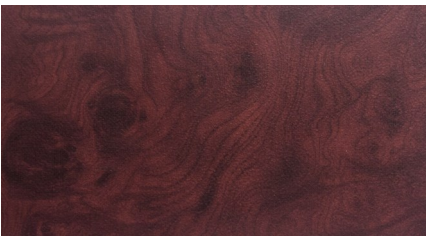
PSF001 (WOOD#1)



PSF002 (WOOD#2)



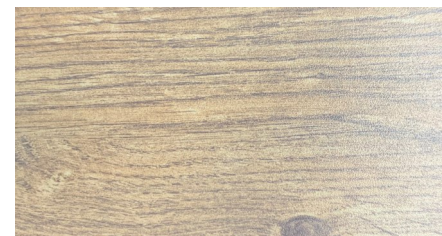
PSF003 (WOOD#3)



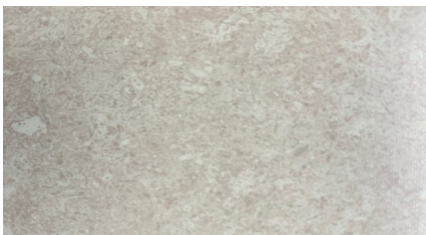
PSF004 (WOOD#4)



PSF005 (WOOD#5)



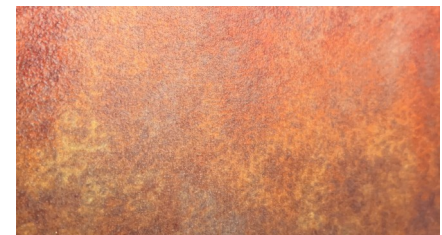
PSF006 (WOOD#6)



PSF007 (STONE #1)



PSF008 (STONE #2)



PSF009 (METAL #1)

**NOTE: A minimal impact to lead times will apply to products specified with Premium Stock Finishes (PSF). It is not to be assumed that these finishes are stocked in our warehouse, but rather, are readily available to us for your project.**

**All other custom finishes (PO) will incur a set up fee and will add an extended lead time to your project.**

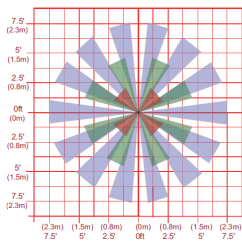


## SPECIFICATIONS

<b>Housing</b> Nominal 3.5" x 3.5" x .075" thick housing of continuous extruded 6063 T5 aluminum.	<b>Source</b> Lumen packages are available in four color temperature options (3000K, 3500K, 4000K and 5000K) — all within 3 MacAdam ellipses.	<b>Environment</b> Suitable for dry and damp locations. Operating temp.: -40°C to +50°C -40°F to +122°F
<b>Color</b> Colors for the housing are available in a powder coated white, black, silver, and woodgrain with end cap to match. Consult factory for custom colors.	<b>Certification</b> Intertek cETLus Listed. RoHS (Restriction of Hazardous Substances) and Buy American Act compliant.	<b>Dimming Driver (Integral Driver)</b> Universal Lighting Technologies (ULT) Everline series of LED drivers allows tunable output currents to achieve infinite configurations of output. UL Class 2 recognized. 0-10v interface can be wired as Class 1 or Class 2 circuit. Included 2.5Kw ring and wave overcurrent protection, isolation of each individual output and a fully potted driver to protect from heat and vibration. Power factor <.93
<b>Luminaire Length</b> 2', 4', 6' or 8' lengths are available for a single stand-alone section. Using internal joiners, these sections can be joined to form longer rows.	<b>Battery</b> Philips Bodine lithium ion battery providing up to 780lm (6W) or up to 1300lm(10W) for 90 minutes. UL924 listed. Class 2 compliant. Meets Title 20 CEC (California Energy Commission) efficiency standards.	
<b>End Caps</b> Injection molded flat end caps are mechanically attached with no exposed fasteners to enhance architectural aesthetic and prevent light leak.	<b>Lensing</b> 0.080" thick impact resistant acrylic lensing.	<b>Packaging</b> Sustainably manufactured outside cardboard box and biodegradable, protective poly-foam luminaire inserts.

## CONTROL

**Sensor**  
 Wattstopper FS-205 v2 Low Voltage PIR. Integrated photosensor for hold-off daylighting control. 24VDC operating voltage. Adjustable time delay (30 seconds to 30 minutes).



## Wireless Node



## WARRANTY

5-year limited warranty. Complete warranty terms can be located at:

[http://www.starteklightingamerica.com/images/pdf/warranty/Beam\\_Series\\_Warranty.pdf](http://www.starteklightingamerica.com/images/pdf/warranty/Beam_Series_Warranty.pdf)

Note: Actual performance may differ as a result of installation environment and final application. All values are design or typical values, measured under laboratory conditions, at 25°C (77°F).

## COMPANION PRODUCTS

### Beam Direct



### Beam Surface Mount



### Recessed Beam

